



Micron Filtration Limited

www.micronfiltration.co.uk

Gravity Paper Band Filter

Micron Filtration Limited

13 Laburnum House

St Helens

WA11 9DZ

Office No: 01744 757735

Mobile: 07713 871893

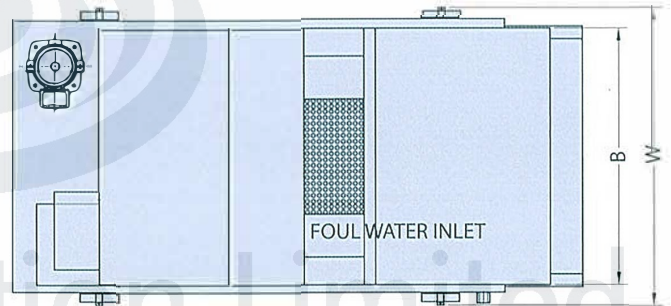
E-Mail: sales@micronfiltration.co.uk

FEATURES:

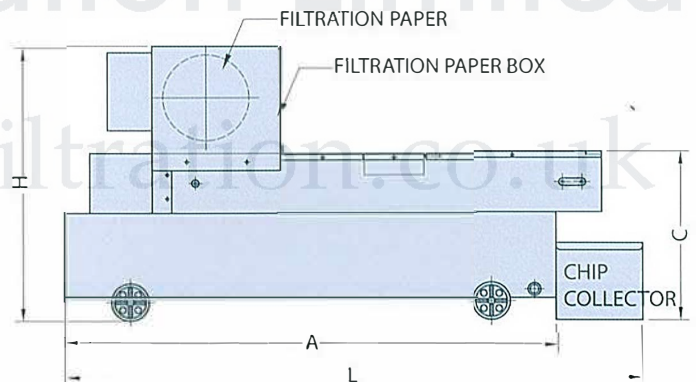
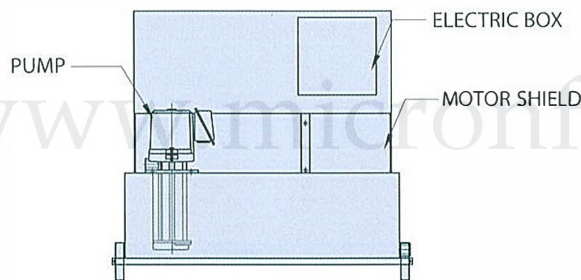
1. Applicable to both ferrous and non-ferrous particles.
2. Filter paper moves forward automatically when contaminants accumulate and clog it.
3. Filtration effect depends on paper accuracy. Standard Grades Are 50 μ , 30 μ and 15 μ . (Other Micron Ratings Are Available)
4. Not suitable for heavy machining for the sake of paper consumption. Use magnetic separator as a pre-filter to reduce paper consumption.

APPLICATION;

- | | |
|---------------------------------------|----------------------------|
| 1. Surface Grinding Machine | 5. Thread Grinding Machine |
| 2. Centerless Grinding Machine | 6. Gear Grinding Machine |
| 3. Internal/External Grinding machine | 7. Polisher |
| 4. Honing machine | |



DRAWING;



SPECIFICATION / DIMENSIONS

| MODEL | CAPACITY L/MIN | TANK VOL. (L) | L | A | B | C | W | H | PUMP (HP) | | MOTOR | FILTER PAPER | Note |
|-------|----------------|---------------|------|------|------|-----|------|-----|-----------|--------|-------|--------------------|----------|
| | | | | | | | | | HP | OUTLET | | | |
| 20 | 20 | 100 | 1050 | 850 | 600 | 400 | 720 | 660 | 1/8 | PF1/2" | 25W | W: 500MM L: 90M | WHEEL |
| 40 | 40 | 120 | 1200 | 1000 | 600 | 400 | 720 | 660 | 1/8 | PF1/2" | 25W | | |
| 60 | 60 | 140 | 1350 | 1150 | 600 | 400 | 720 | 660 | 1/8 | PF1/2" | 25W | | |
| 80 | 80 | 160 | 1500 | 1300 | 600 | 400 | 720 | 660 | 1/4 | PF3/4" | 25W | | |
| 120 | 120 | 210 | 1500 | 1300 | 800 | 400 | 920 | 740 | 1/2 | PF3/4" | 40W | W: 700MM | NO WHEEL |
| 160 | 160 | 260 | 1800 | 1600 | 800 | 400 | 920 | 740 | 1/2 | PF3/4" | 40W | L: 90M | |
| 240 | 240 | 440 | 1550 | 1350 | 1060 | 430 | 1330 | 740 | 1 | PF1" | 60W | W: 1000MM | NO WHEEL |
| 360 | 360 | 640 | 2150 | 1950 | 1060 | 430 | 1330 | 740 | 1 | PF1" | 60W | L: 90M | |
| 500 | 500 | 980 | 3240 | 2950 | 1060 | 430 | 1330 | 740 | 1X2 | PF1"X2 | 60W | | |