

Drum Type Gravity Filter

FEATURES:

1. **Small footprint: only 1/3rd of the area of a conventional paper filter.**
2. **Higher performance: handles a larger capacity than conventional gravity paper filter systems.**
3. **Leakproof by sealing both edges of the filter paper. Excellent filtration fineness.**
4. **Filtration fineness depends on types of filter paper media, media ratings from 15 micron, 30 micron and 50 micron.**
5. **To save costs and increase filtration fineness. Can be used with a Magnetic Separator as pre-filter to remove larger**



Micron Filtration Limited
www.micronfiltration.co.uk



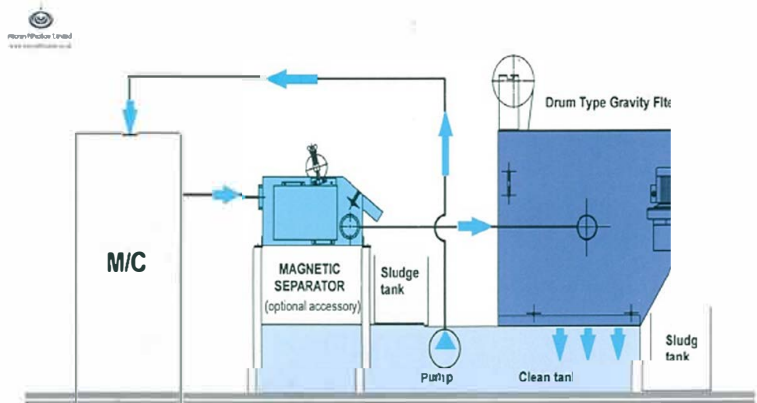
The Drum Type Gravity Filter, filters contaminants by filter paper media.

Filter paper media moves automatically when the contaminants accumulate and clog the filter paper media.

Clean filter paper media is replaced and the contaminated filter media is moved to a sludge tank.

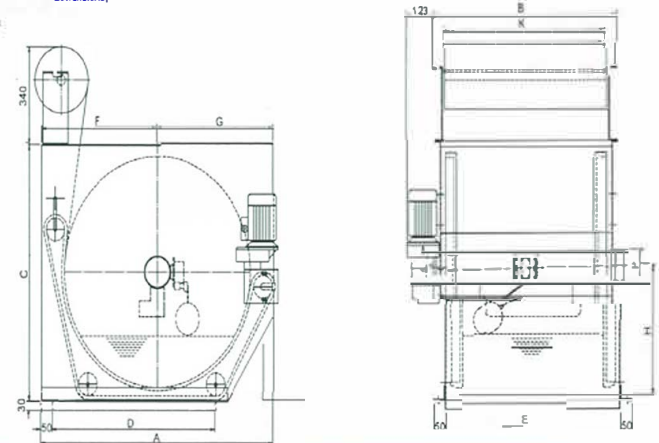
Micron Filtration Limited
13 Laburnum House
St Helens
WA11 9DZ

Office No: 01744 757735
Mobile No: 07713 871893
E-mail: sales@micronfiltration.co.uk



Notes: 1. Catalogue of optional accessories available on request.
2. Clean Tank, Pump and Sludge tank will be supplied as per the customers specification

Dimensions:



Capacity	Paper K width mm	Drum Diameter	A	B	C	D	E	F	G	H	Motor	Inlet Size
140 lpm	500	Ø560	755	590	650	580	546	380	375	330	250W	PT3"
200 lpm	700	Ø560	755	790	650	580	746	380	375	330	250W	PT3"
360 lpm	700	Ø800	1000	790	890	700	746	500	500	450	250W	PT4"
500 lpm	1000	Ø800	1000	1090	890	700	1046	500	500	450	250W	PT4"
1000 lpm	1000	Ø1000	1200	1090	1100	890	1048	600	600	560	250W	8"Flange 5K
1500 lpm	1500	Ø1000	1200	1590	1100	890	1548	600	600	560	250W	8"Flange 5K
2000 lpm	2000	Ø1000	1200	2090	1100	890	2048	600	600	560	250W	8"Flange 5K